

EMVPF1540

Monitor Specification Sheet





0mm



1800mm*



+/- 0°



+/- 0°



No



70Kg




VESA
600mm x 400mm




- Supports up to 70KG
- Up to VESA 600mm x 400mm & Non-VESA 455mm x 400mm
- Heavy duty Steel construction
- Free standing base
- Integrated cable management holes
- All mounting hardware included
- Shelves & other accessories available
- Standard model supplied in Black with 1.8M Pole (other colours & sizes available)

The ErgoMounts EMVPF1540 is a stylish display stand designed for use with a large sized screen. The base features non-marking rubber feet, grab handles for easy handling, and a cover plate for improved aesthetics. Suitable for screens with VESA fixings up to 600x400, the screen can be easily mounted at any height on the twin 1.8 metre poles. Accessories such as shelves can also be added using our range of 50mm collars.


Ideal For




Home



Education

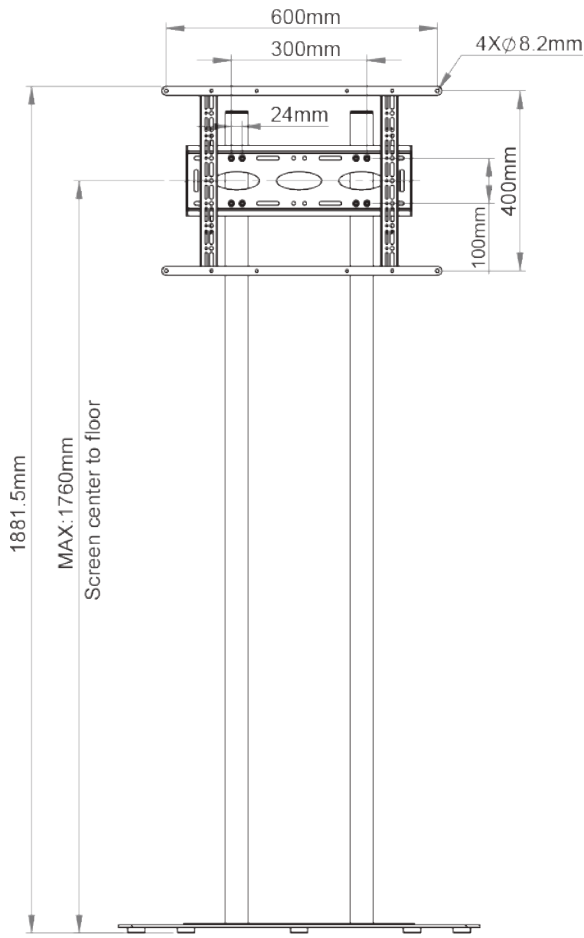


Manufacturing

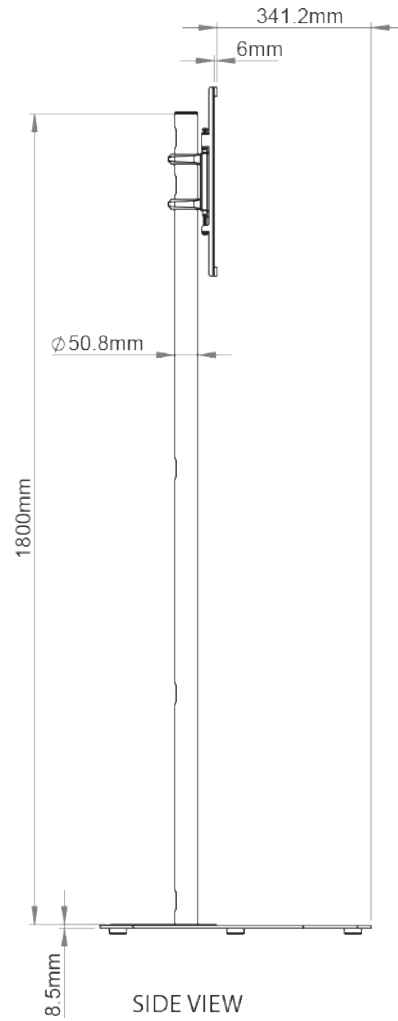


Commerical

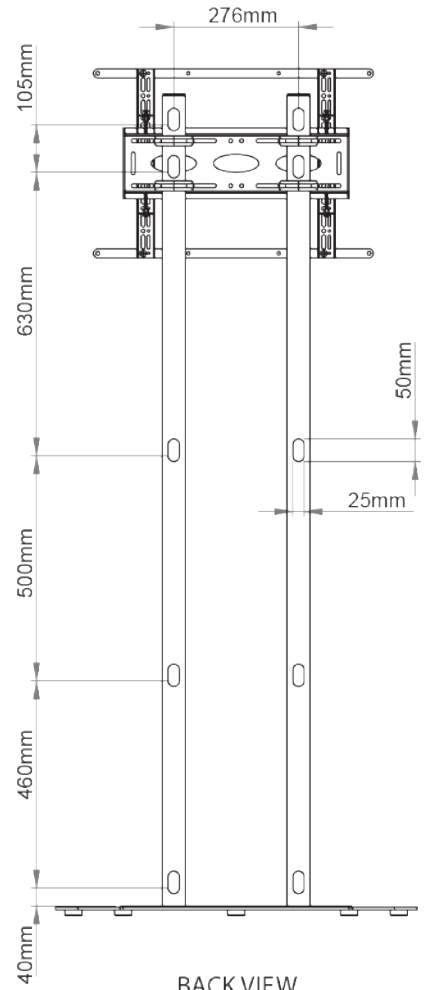




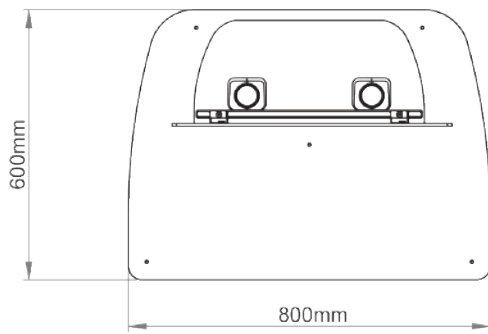
FRONT VIEW



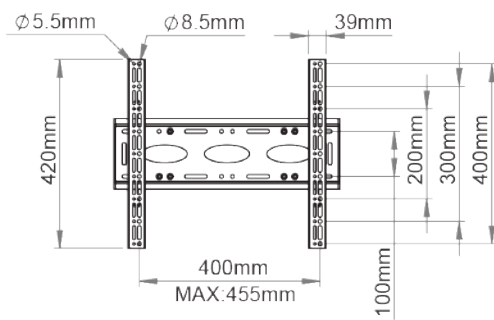
SIDE VIEW




BACK VIEW




TOP VIEW



MOUNT

 Unit 10 Pegasus Court, North Lane, Aldershot,
Hampshire, England, United Kingdom

 +44 (0) 1252 333 326

 sales@ergomounts.co.uk

 www.ergomounts.co.uk

