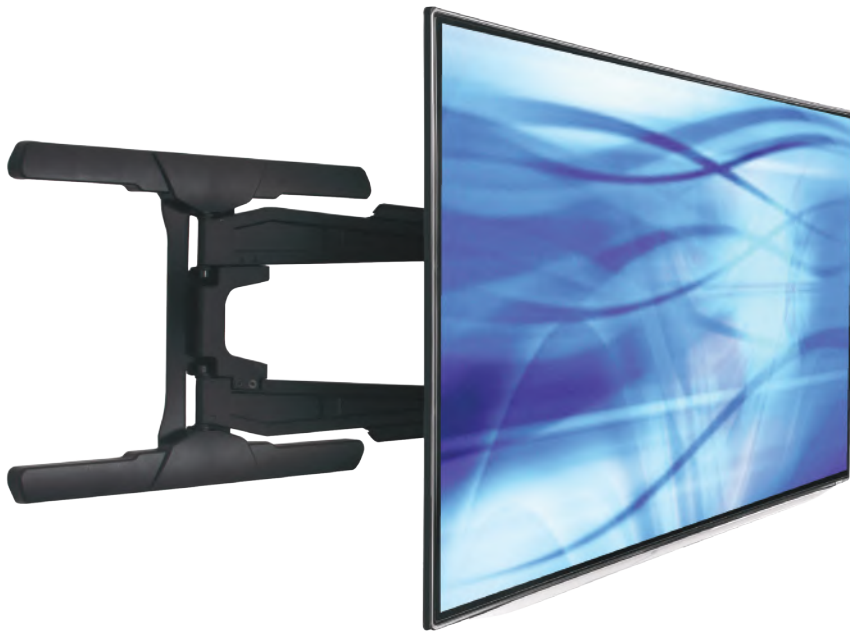


Heavy Duty Swing Arm

EMZ500B

Specification Sheet





560mm



0mm



+/- 15°



+/- 180°



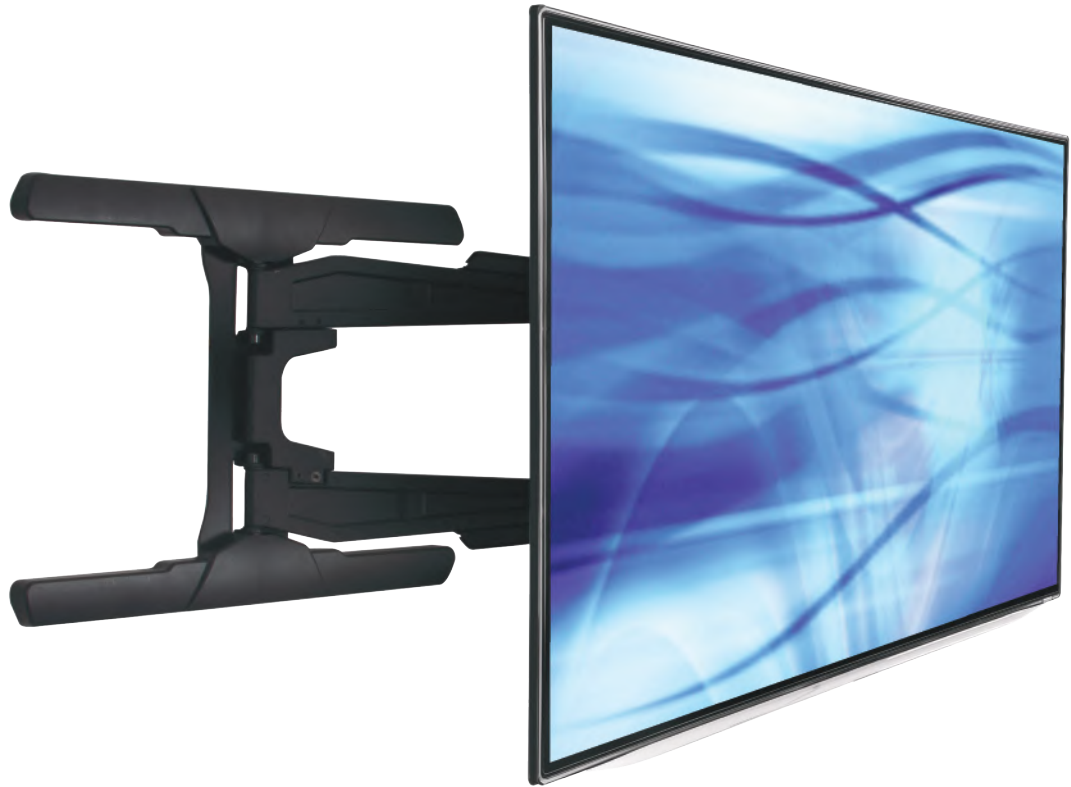
Yes



36Kg



Up to
600 x 400



Ideal For



Home



Education



Manufacturing

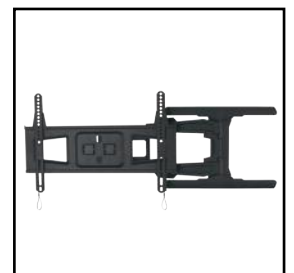


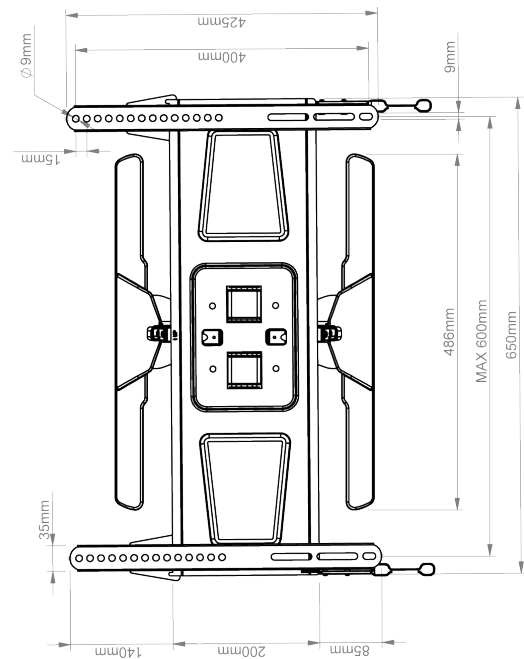
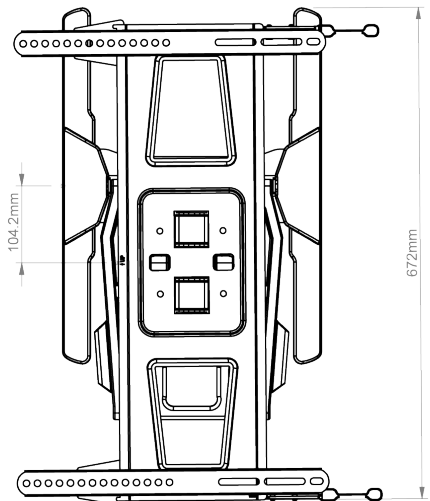
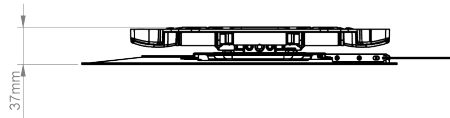
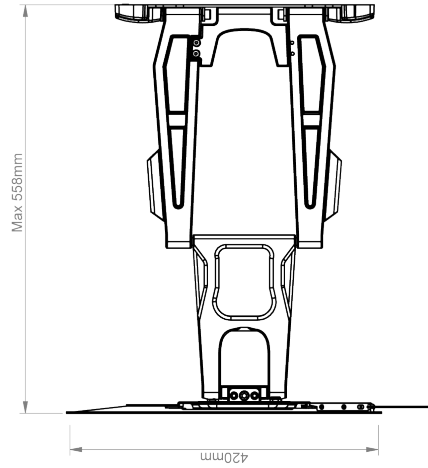
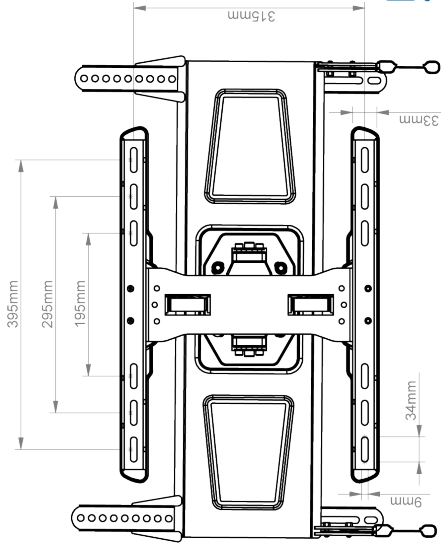
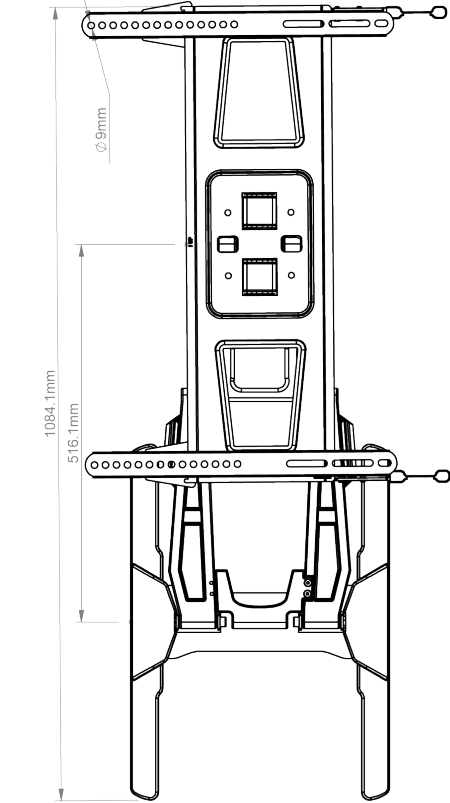
Commerical


- Features three swivel points: 180° at wall, 360° at central pivot and 240° at interface.
- Easy tilt and swivel adjustment
- Integrated Cable Management.
- Simple 'hook-on' installation with all mounting hardware included.


The ErgoMounts EMZ500 is designed to mount large screens up to 65". This ultra-slim double arm wall mount features a tilting interface and three swivel points, allowing quick and easy repositioning of screens as required whether folded flat to the wall at a depth of just 37mm or at maximum extension. Cover plates to hide fixings and integrated cable management help make this a neat and tidy mounting solution which is ideal for commercial applications as well as home installations.

Please note: This requires a minimum VESA Hole Spacing of 300mm x 300mm





 Unit 10 Pegasus Court, North Lane, Aldershot,
Hampshire, England, United Kingdom

 +44 (0) 1252 333 326

 sales@ergomounts.co.uk

 www.ergomounts.co.uk

