

Medical Wire Basket

Specification Sheet





12.7Kg

- Medical Grade Wire Basket.
- Can be fitted to ICW Medical Tracks.
- Includes additional Cable & Keyboard Holder.
- Supports up to 12.7Kg.
- Can be cleaned with “Hospital Grade” solutions (10,000 parts bleach per 1,000,000).

Ideal For



Healthcare



Education



Manufacturing



Commerical

The ErgoMounts Wire Basket is a medical grade mounting device capable of supporting up to 12.7Kgs. The basket is manufactured out of high-end aircraft grade aluminium before being powder coated for durability and a scratch resistant finish. The powder coat finish also means that the entire basket can be regularly cleaned with hospital grade solutions (10,000 parts bleach per 1,000,000).

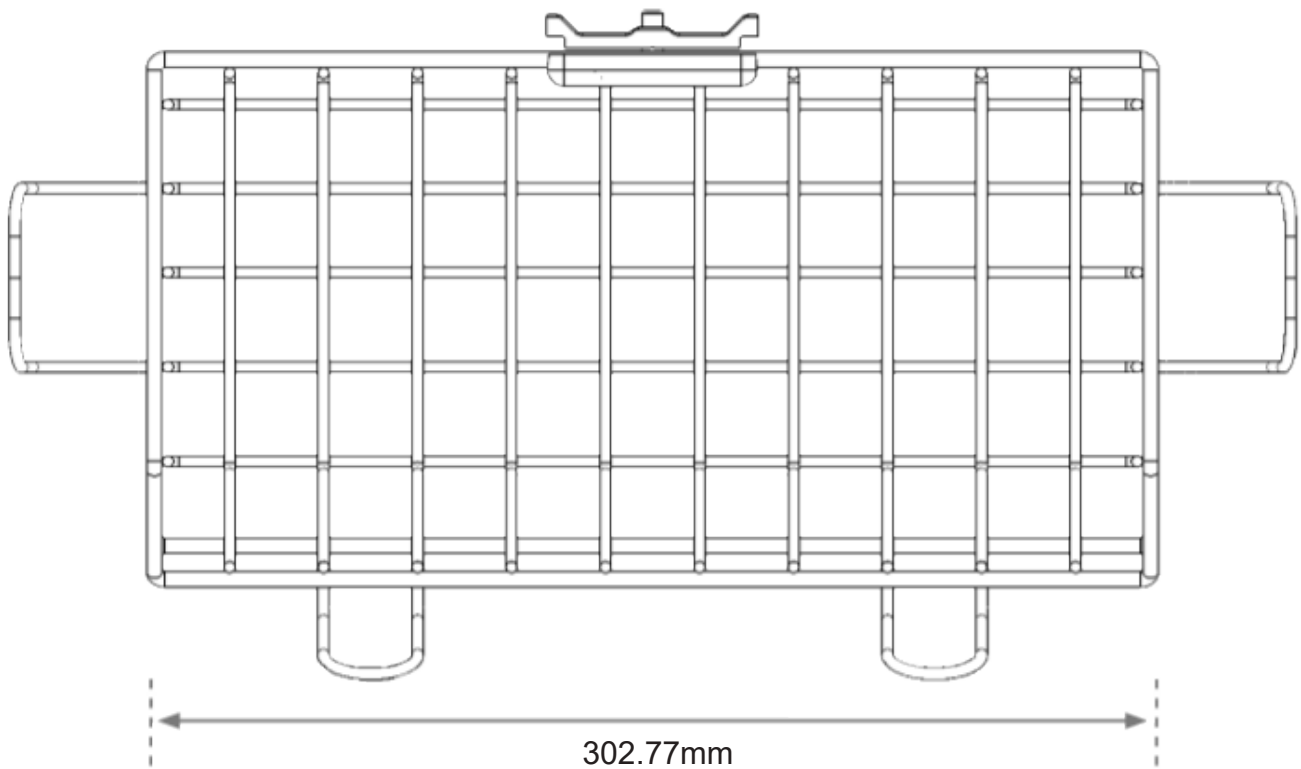
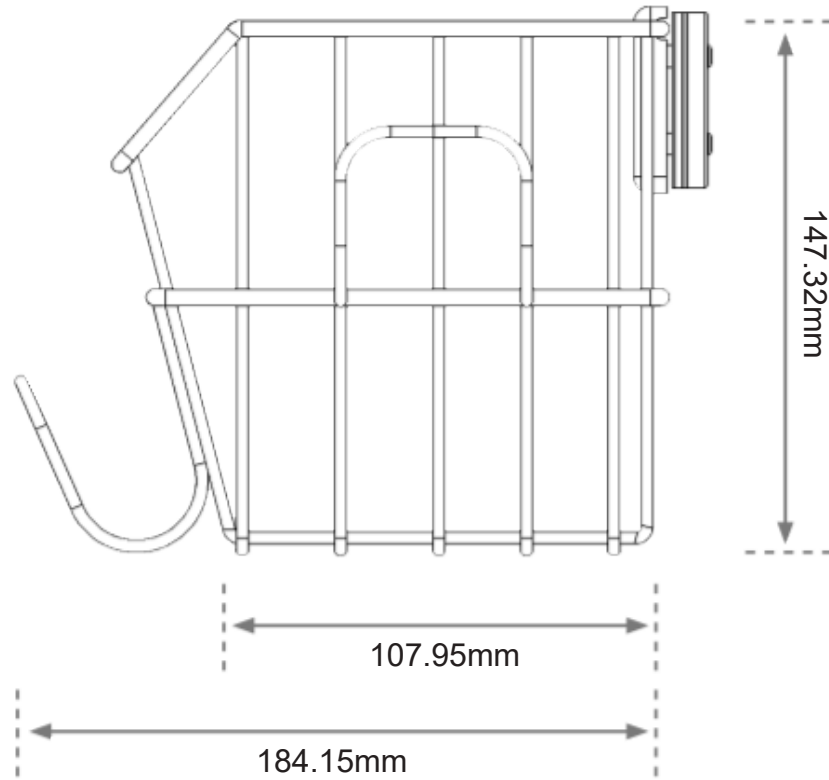
The internal dimensions of the basket measure 302.7mm x 107.95mm and the basket also features two cable tidy hooks at either side and an additional set of fold out hooks to support a keyboard on the front.


This basket can be mounted directly to the wall or on to an existing ICW Wall Track System.


Manufactured to order...


All of our Medical Grade Mounting Solutions are manufactured to order by our partners in the United States. These are then air freighted to us before being hand inspected and assembled by our talented team of technicians at our headquarters in Hampshire, United Kingdom. This allows us to offer 1000's of combinations on our products as well as bespoke design but at a much shorter lead time than our competitors who often rely on Far East manufacturing.






 Unit 10 Pegasus Court, North Lane, Aldershot,
Hampshire, England, United Kingdom

 +44 (0) 1252 333 326

 sales@ergomounts.co.uk

 www.ergomounts.co.uk

