

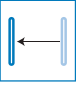
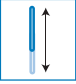





EMVT21 Workstation

Wall Mount

Specification Sheet




ErgoMounts

- 
Up to 356mm
- 
Up to 533mm
- 
+/- 50°*
- 
+/- 90°*
- 
Yes
- 
11.3Kg
- 
75 x 75
100 x 100




- Medical grade solution.
- Monitors & Keyboards up to 11.3Kg
- Billet Aluminium construction.
- Can be cleaned with “Hospital Grade” solutions (10,000 parts bleach per 1,000,000).


Ideal For




Healthcare



Education



Manufacturing



Commercial

The ErgoMounts EMVT21 series provide a comfortable, ergonomic sit-stand workstation with 21” (53.3 cm) of smooth vertical movement. This mount adjusts easily from a standing to a sitting position and features a locking lift assist to secure the unit at any point in the range of motion.

The **EMVTLP** low profile model stows 4” (10 cm) from the wall and is an excellent choice for areas that require a low profile workstation such as hospital corridors. The stowed depth can help maintain adequate hallway space to comply with international fire codes. The monitor cannot be adjusted on this version of the EMVT21.

The **EMVT21** model stows 5.5” (14 cm) from the wall when stowed away and features an extended depth of 17” (43 cm). The monitor rotates swivels and tilts for ergonomic viewing.

The **EMVTTM** tandem arm stows 7” (17.8 cm) from the wall and provides 180° of horizontal swivel at the wall mount. Ideal for patient rooms, the EMVT21 Tandem Arm can be pulled out from the wall and rotated to enable staff to share information with patients and family members.

Machined out of billet Aluminium, these units are powder coated to ensure a durable, lasting finish. These units can be cleaned with hospital grade solutions of 10,000 parts bleach per 1,000,000.

Manufactured to order...

All of our Medical Grade Mounting Solutions are manufactured to order by our partners in the United States. These are then air freighted to us before being hand inspected and assembled by our talented team of technicians at our headquarters in Hampshire, United Kingdom. This allows us to offer 1000’s of combinations on our products as well as bespoke design but at a much shorter lead time than our competitors who often rely on Far East manufacturing.



*On the EMVT21 & EMVTTM Models Only



EMVTLP-KUB-MW

EMVT Computer Workstation
Low Profile | Fixed Monitor
Ultra Keyboard Tray
Medical White



EMVTLP-KUB-QG

EMVT Computer Workstation
Low Profile | Fixed Monitor
Ultra Keyboard Tray
Light Grey

EMVTLP-KUB-TB

EMVT Computer Workstation
Low Profile | Fixed Monitor
Ultra Keyboard Tray
Black



EMVTLP-KUW-MW

EMVT Computer Workstation
Low Profile | Fixed Monitor
Worksurface Tray
Medical White



EMVTLP-KUW-QG

EMVT Computer Workstation
Low Profile | Fixed Monitor
Worksurface Tray
Light Grey

EMVTLP-KUW-TB

EMVT Computer Workstation
Low Profile | Fixed Monitor
Worksurface Tray
Black



EMVT21-KUB-MW

EMVT Computer Workstation
Low Profile | Adjustable Monitor
Ultra Keyboard Tray
Medical White



EMVT21-KUB-QG

EMVT Computer Workstation
Low Profile | Adjustable Monitor
Ultra Keyboard Tray
Light Grey

EMVT21-KUB-TB

EMVT Computer Workstation
Low Profile | Adjustable Monitor
Ultra Keyboard Tray
Black



EMVT21-KUW-MW

EMVT Computer Workstation
Low Profile | Adjustable Monitor
Worksurface Tray
Medical White



EMVT21-KUW-QG

EMVT Computer Workstation
Low Profile | Adjustable Monitor
Worksurface Tray
Light Grey

EMVT21-KUW-TB

EMVT Computer Workstation
Low Profile | Adjustable Monitor
Worksurface Tray
Black



EMVTTM-KUB-MW

EMVT Computer Workstation
Extended | Adjustable Monitor
Ultra Keyboard Tray
Medical White



EMVTTM-KUB-QG

EMVT Computer Workstation
Extended | Adjustable Monitor
Ultra Keyboard Tray
Light Grey

EMVTTM-KUB-TB

EMVT Computer Workstation
Extended | Adjustable Monitor
Ultra Keyboard Tray
Black



EMVTTM-KUW-MW

EMVT Computer Workstation
Extended | Adjustable Monitor
Worksurface Tray
Medical White



EMVTTM-KUW-QG

EMVT Computer Workstation
Extended | Adjustable Monitor
Worksurface Tray
Light Grey

EMVTTM-KUW-TB

EMVT Computer Workstation
Extended | Adjustable Monitor
Worksurface Tray
Black

Installation & Maintenance

The ErgoMounts Planned Preventative Maintenance Programme (PPM) covers bi-annual visits from one of our highly trained technicians. They ensure all of our arms are working as intended and replace or repair any worn parts. This often extends the working life of the mounts by several years resulting in significant savings. Contact us to find out more about our installation and maintenance plans.



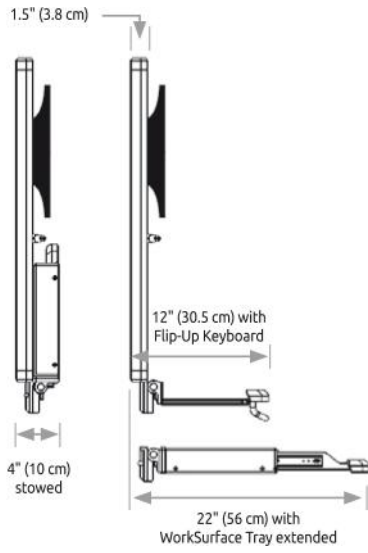
Interested In Selling Our Products?

We're always looking for new businesses to take on and sell our exciting portfolio of products. Our resellers receive a range of exclusive benefits including combined marketing, trade accounts and access to our team of experts.

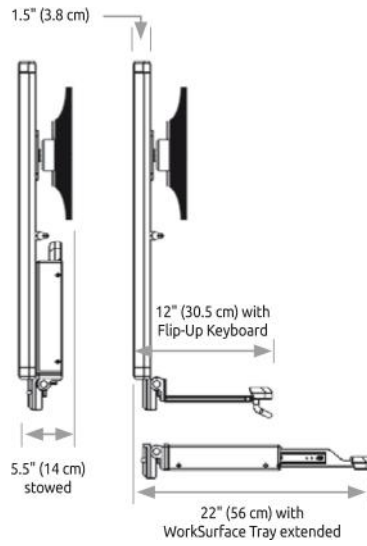
For more information contact: info@ergomounts.co.uk



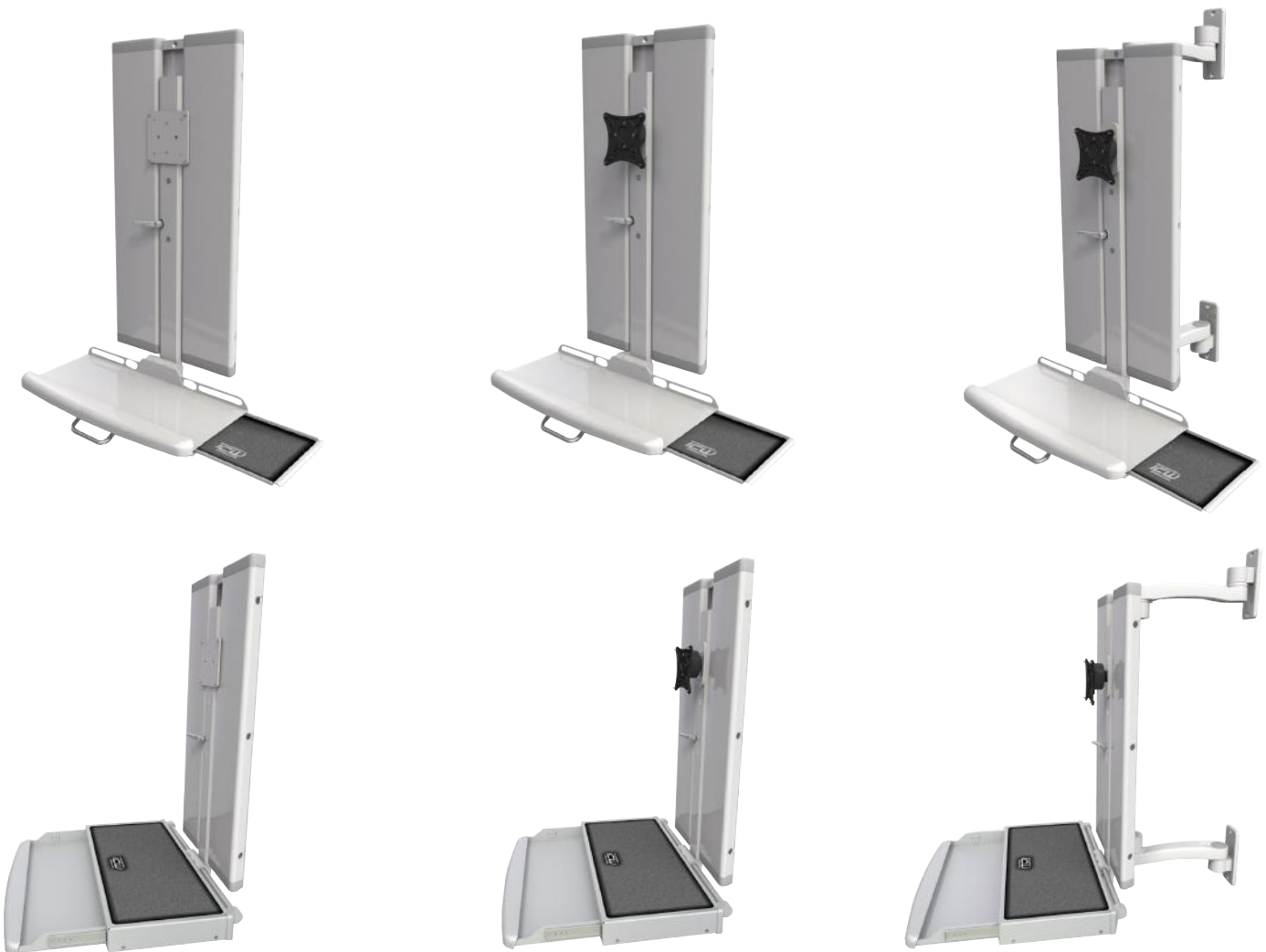
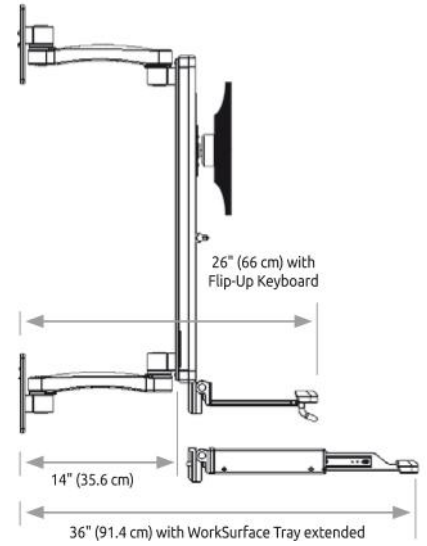
EMVTLP:





EMVT21:





EMVTTM:



 Unit 10 Pegasus Court, North Lane, Aldershot,
Hampshire, England, United Kingdom

 +44 (0) 1252 333 326

 sales@ergomounts.co.uk

 www.ergomounts.co.uk

